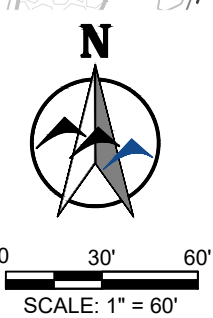
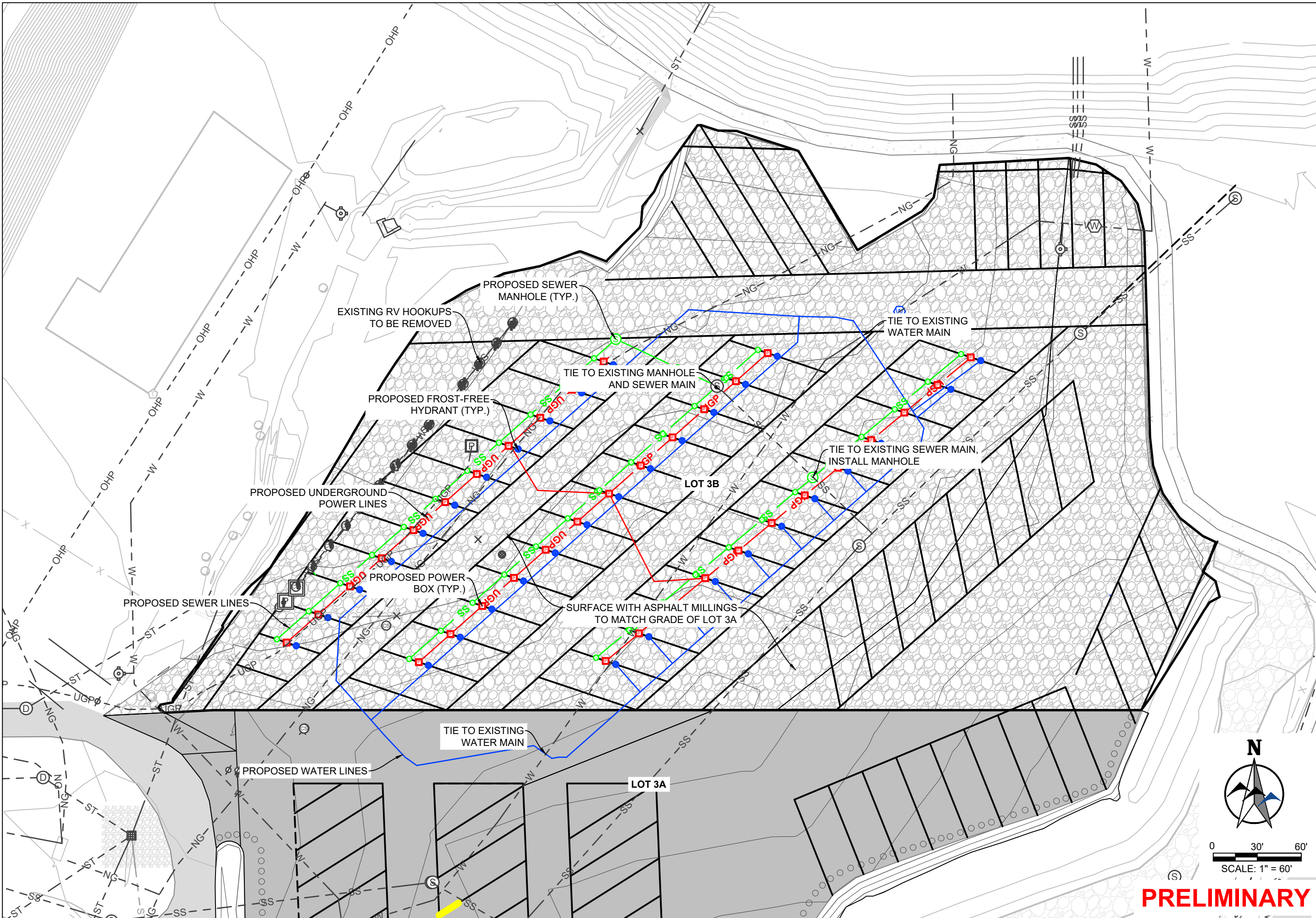



K:\Sheridan\Yellowstone County, MT\2021555 MainPark Infrastructure Improvements\05CAD\Sheets\PLAN_SET\04_Arena_Back Lots\PHASE 2 - LOT 3B\04_IMPROVEMENTS\21555-LOT-3B_IMPROV.dwg improvement overview 11/7/2023 1:58:46 PM



PRELIMINARY

NO.	REVISION	BY	DATE

PREPARED BY
 **WWC** ENGINEERING
 550 S. 24TH ST. W., SUITE 201
 BILLINGS, MT 59102
 (406) 894-2210
 www.wwcengineering.com

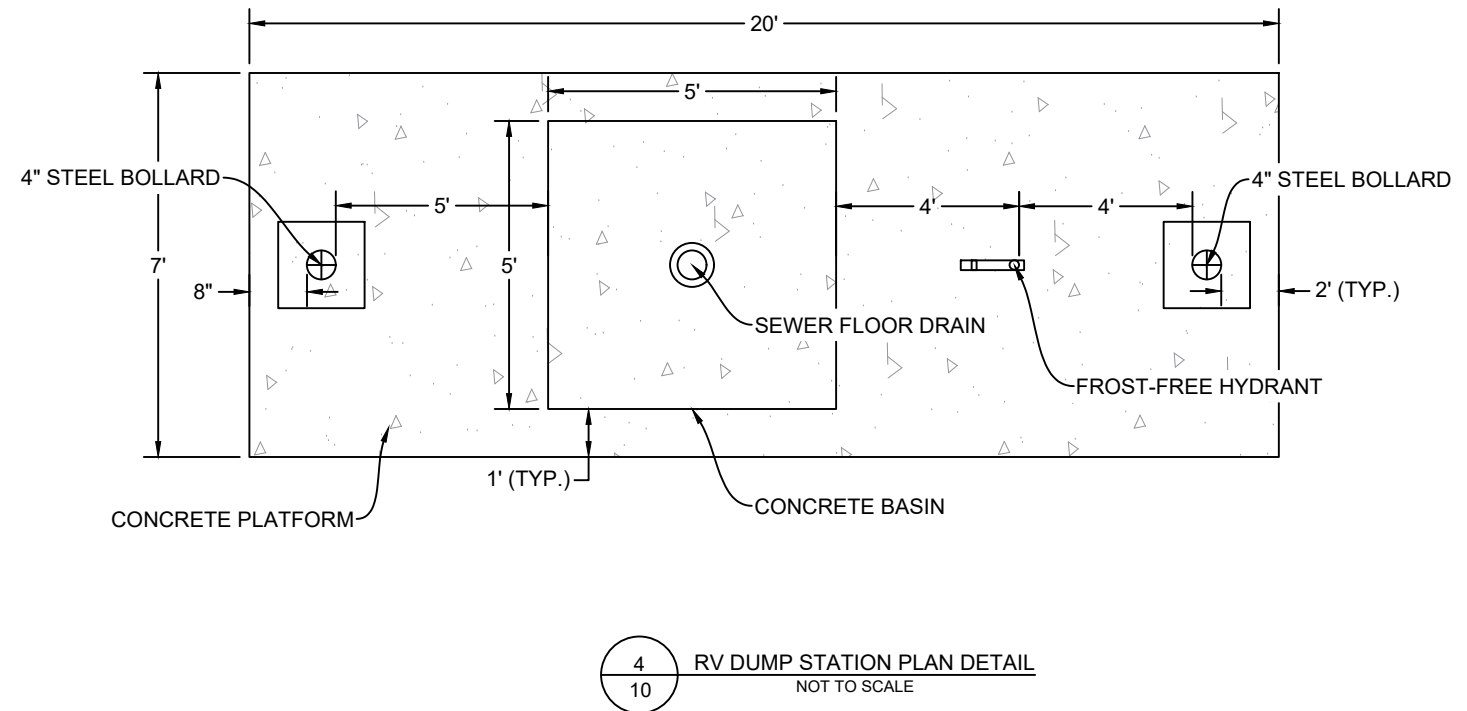
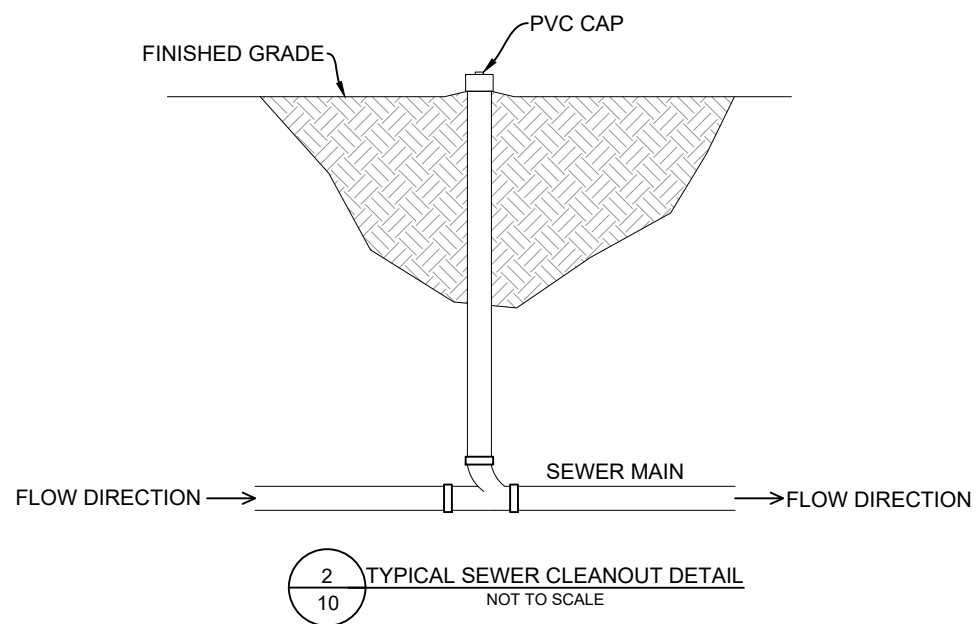
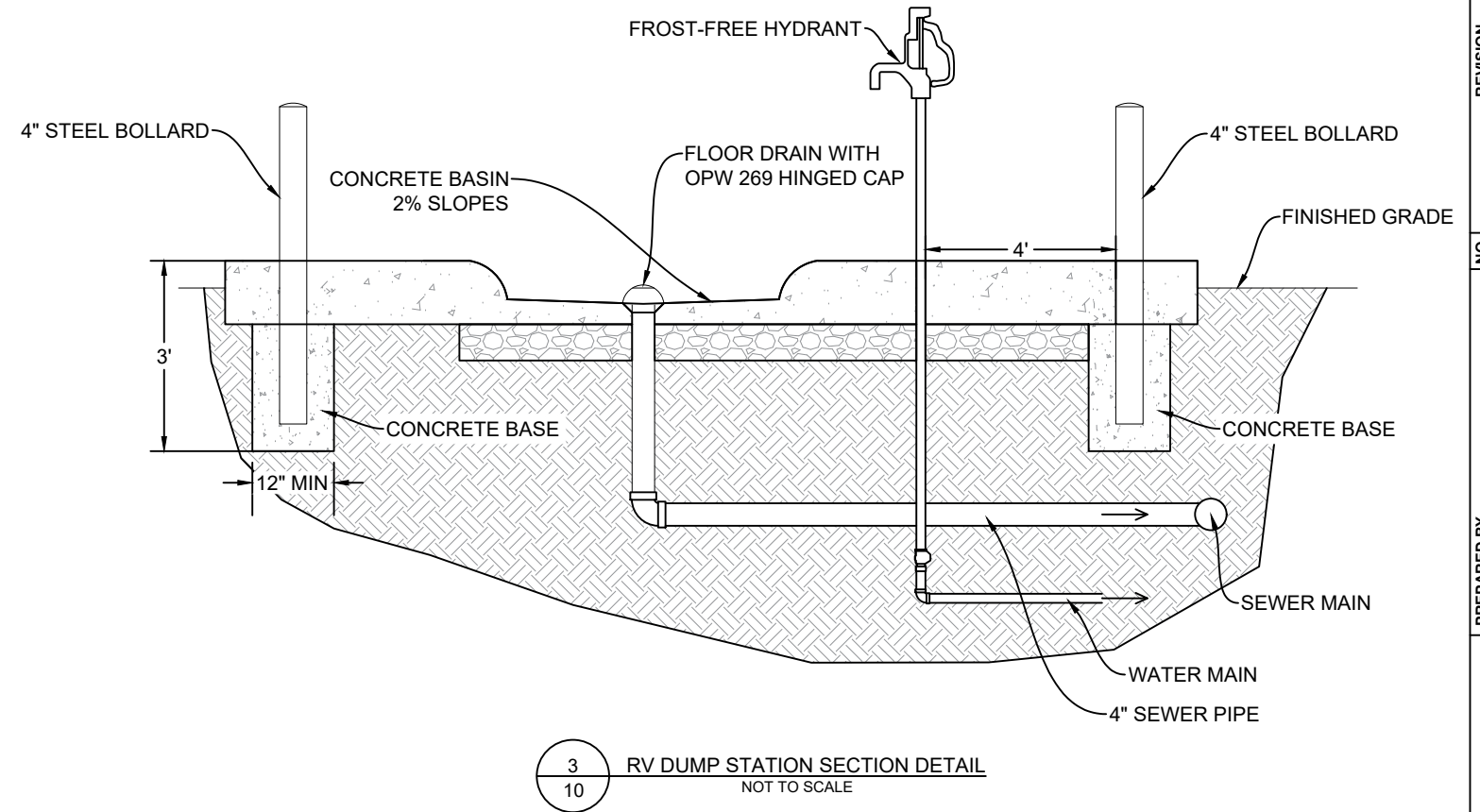
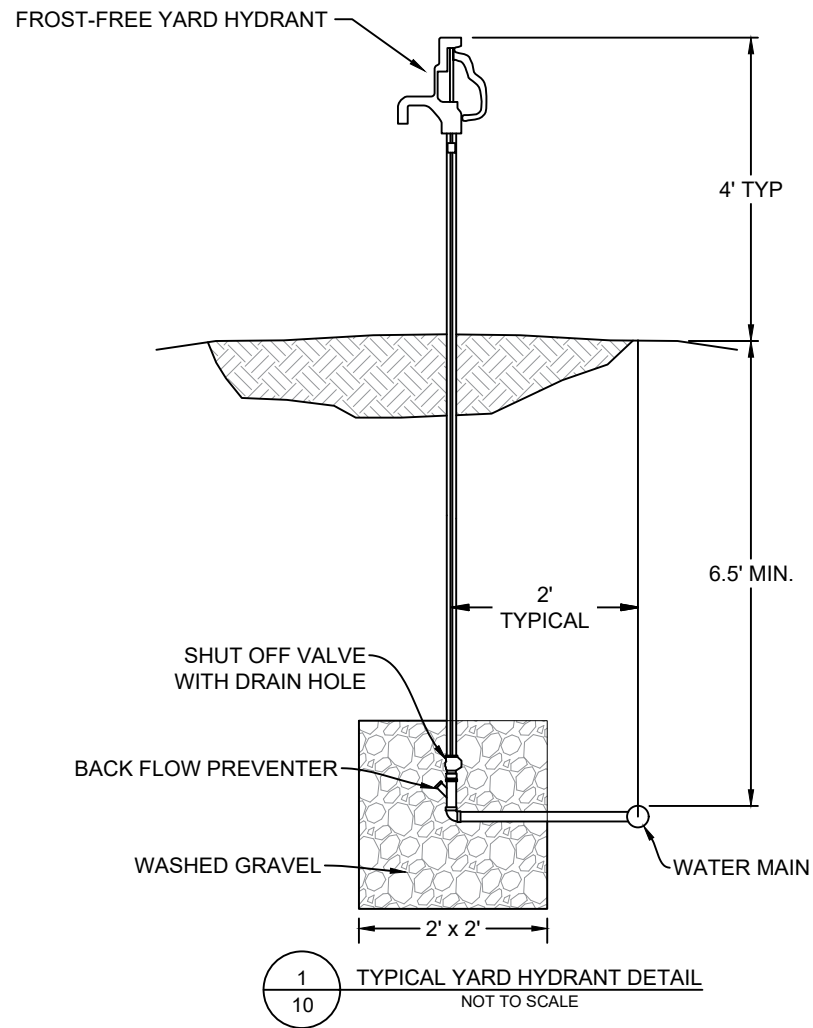
YELLOWSTONE COUNTY
ARENA BACK LOTS - PHASE 2
LOT 3B IMPROVEMENT OVERVIEW
 BILLINGS, MT

DESIGNED BY: MBP
 DRAWN BY: ZSL
 CHECKED BY: GTR
 DATE: X/X/XX

SHEET
5

PROJECT NO. 2021-555

K:\Sheridan\Yellowstone County, MT\2021555 MetraPark Infrastructure Improvements\05CAD\Sheets\PLAN_SET\04_Arena_Back_Lots\PHASE 2 - LOT 3B\06_DETAILS\ARENA BACK LOTS_DETAILS.dwg PROFILE-DETAILS 11/2/2023 9:49:58 AM



NO.	REVISION	BY	DATE

PREPARED BY
WWC ENGINEERING
 550 S. 24TH ST. W., SUITE 201
 BILLINGS, MT 59102
 (406) 894-2210
 www.wwcengineering.com

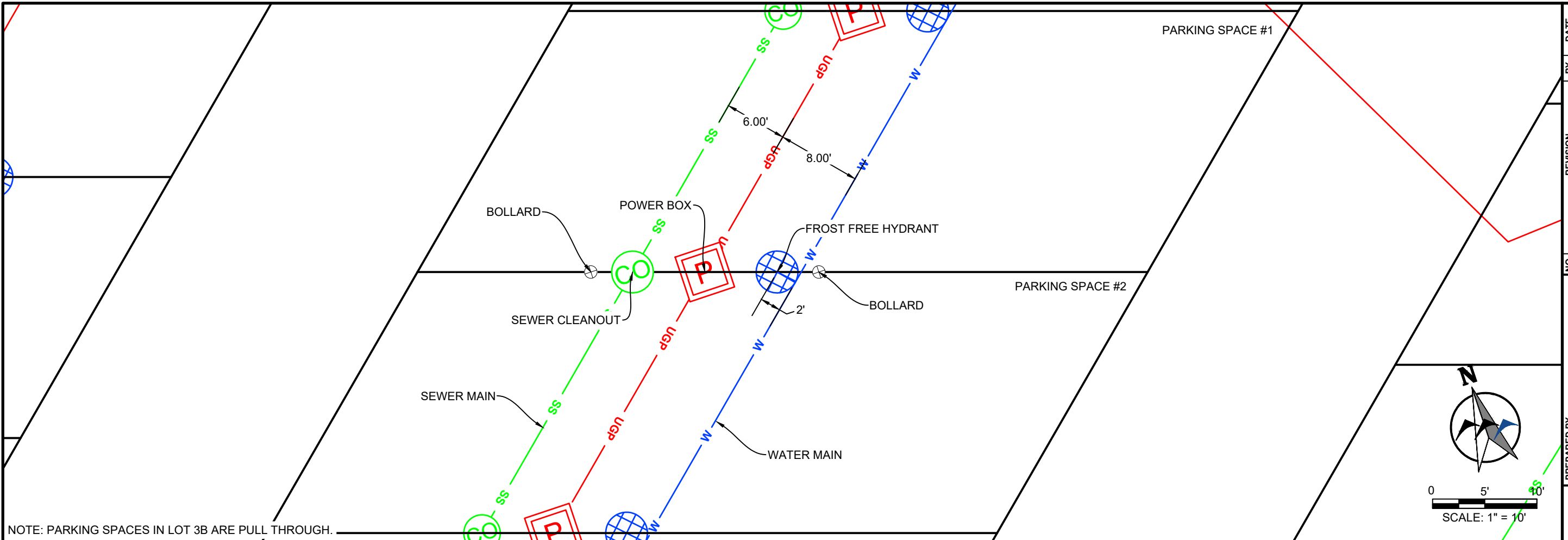
YELLOWSTONE COUNTY
 ARENA BACK LOTS - PHASE 2
SERVICE HOOKUP DETAILS
 BILLINGS, MT

DESIGNED BY: MBP
 DRAWN BY: ZSL
 CHECKED BY: GTR
 DATE: X/X/XX

SHEET
10

PRELIMINARY

K:\Sheridan\Yellowstone County, MT\2021555 MetroPark Infrastructure Improvements\GIS\CAD\Sheets\PLAN_SET\04_Arena_Back Lots\PHASE 2 - LOT 3B\06_DETAILS\1655-ARENA BACK LOTS_DETAILS.dwg 11/17/2023 9:49:58 AM



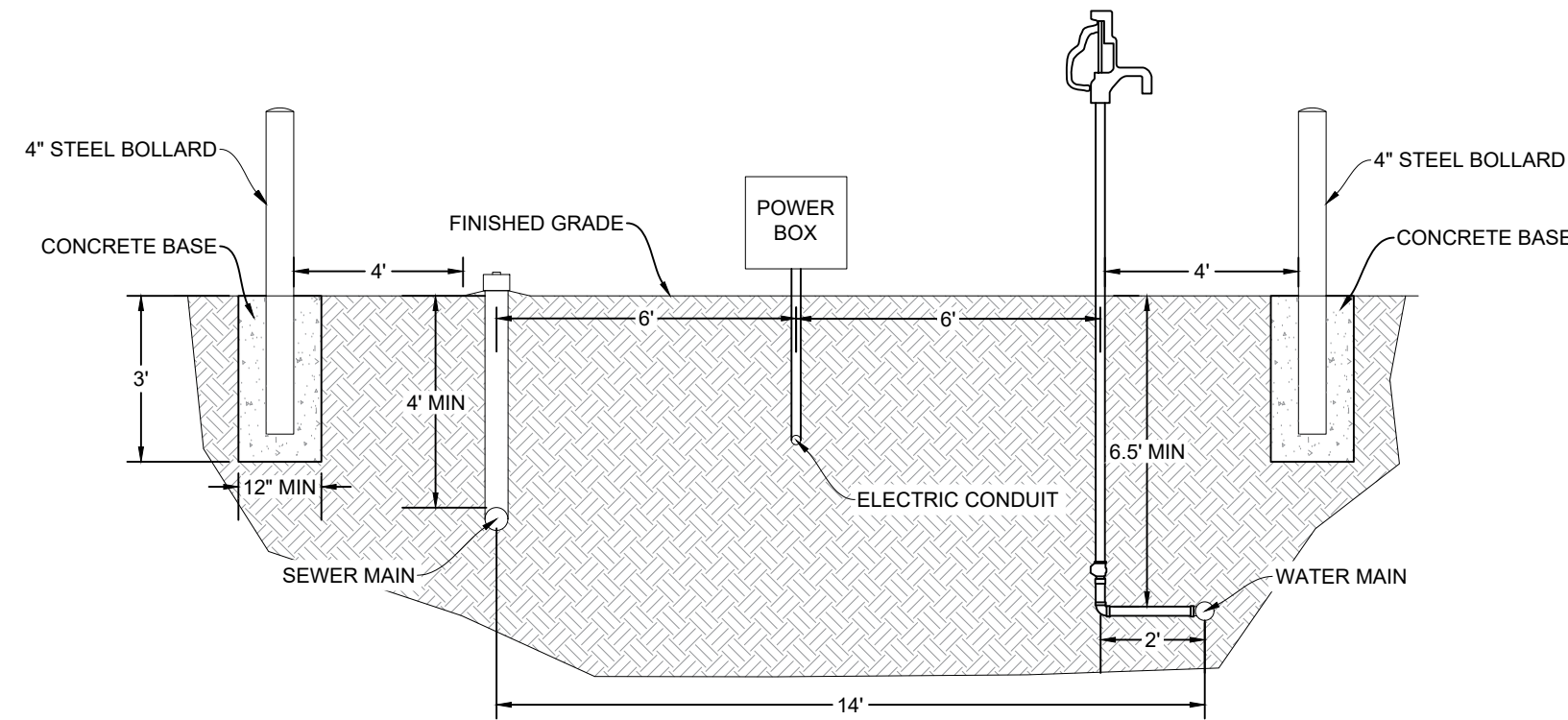
NO.	REVISION	BY	DATE

PREPARED BY
WWC ENGINEERING
 550 S. 24TH ST. W., SUITE 201
 BILLINGS, MT 59102
 (406) 894-2210
 www.wwcengineering.com

YELLOWSTONE COUNTY
ARENA BACK LOTS - PHASE 2
SERVICE HOOKUP DETAILS
 BILLINGS, MT

DESIGNED BY: MBP
 DRAWN BY: ZSL
 CHECKED BY: GTR
 DATE: X/X/XX

SHEET
11



1
 11 TYPICAL HOOKUP SECTION
 NOT TO SCALE

PRELIMINARY

PROJECT NO. 2021-555